

Casambi Flush-Mounted Pushbutton Module 4 CH

Continue using the wall switch - gain smart functions by installing the module



Article no.: 1019 / Artikelnr.: 1019H Montage im Schaltschrank

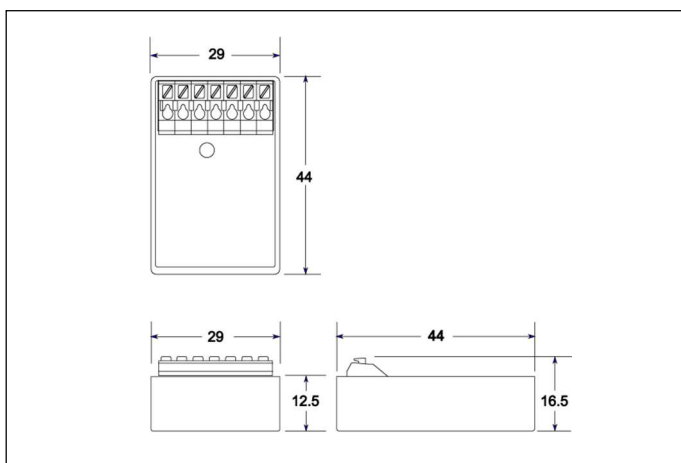
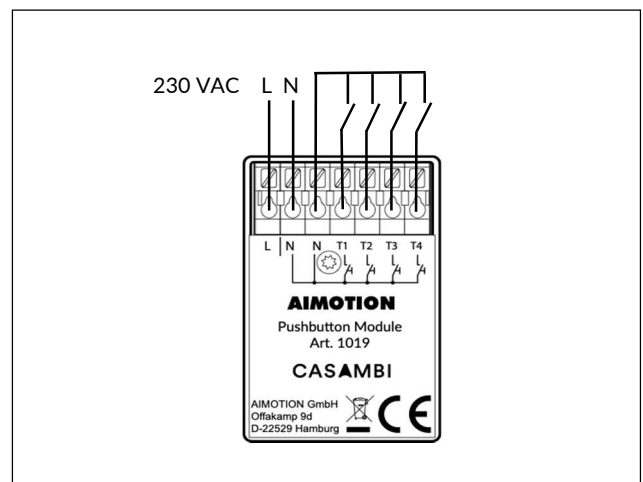
Description

The AIMOTION Pushbutton Module 4 CH communicates wirelessly in the Bluetooth Low Energy Mesh network without the use of gateways, routers, repeaters or extra cabling. The Pushbutton Module is designed so that up to four standard installation pushbuttons with mains voltage can be added to a Casambi network. Alternatively, motion detectors / sensors or other switches can be connected via mains voltage. The connections control e.g. one luminaire, device, group, scene/animation, all luminaires or motion/automation. Configuration is done wirelessly via the Casambi app. The Pushbutton Module has a compact format, suitable for installation in flush-mounted boxes (deep flush-mounted boxes are recommended). Installation may only be carried out by a qualified electrician.

- For installation in the flush-mounted box or switch cabinet
- 4 connections (100-240 VAC) freely programmable
- Infinitely variable dimming
- Control of all lights, devices, groups and scenes
- Changing the colour temperature
- Motion detector control
- Resume / start automation
- iBeacon can be activated

Technical Details

Description	Features
Operating voltage	100..220 VAC, 50/60 Hz
Radio frequencies	2,4..2,483 GHz; +4 dBm
Power consumption	<150 mW
Cable lengths at pushbutton connections	max. 5 m, (interference-free environment)
Wire size	solid: 0,5 mm ² - 1,5 mm ² fine with ferrule: 0.5mm ² - 0.75 mm ²
Wire strip length	9 mm
Ambient temperature, ta	0...+50 °C
Storage temperature	-25...+70 °C
Degree of protection	IP20
Protection class	II
Weight	18 gr
Dimensions	44 mm x 29 mm x 16 mm



Notice

Technical changes and errors excepted.

